

# CHANNEL

Smarter Safety

## Brook 3



Features  
Optional  
Remote  
Control

**LED Emergency Luminaire**  
from Channel Safety Systems



# LED Emergency Luminaire

The Brook 3 LED bulkhead can be used either externally or internally owing to its IP65 rating.

Now with increased light output!

Mains LM output	400Lm
Emergency LM output	240Lm
Mains Wattage	7.3w
Battery	LiFePo4 3.2v 3Ah
LED	20x SMD 5730

## Features

- Lumen Output  
Mains - 400Lm  
Emergency 240Lm
- Long life LED technology
- Maintained or non-maintained operation
- Optional self-test operation to BS EN 62034
- Polycarbonate construction with clear diffuser
- Hinged gear tray for easy installation
- Cable entry: rear, end & side of fitting
- Self-test option available
- Easy to install
- Low environmental impact
- Low running costs
- Low maintenance
- Meets BS EN 60598-2-22 and other relevant standards

Errors & omissions excepted.  
Specification is subject to change without notice.



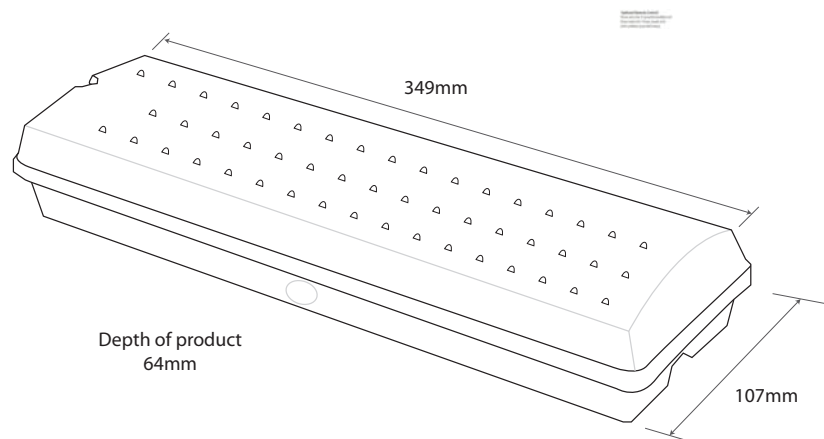
[www.channelsafety.co.uk](http://www.channelsafety.co.uk)

Tel: 0845 884 7000

**Optional Remote Control**  
Press once for 5 second monthly test  
Press twice for 3 hour yearly test  
LED confirms pass/fail status



Hinged gear tray for easy installation



## PHOTOMETRIC SPACING DATA (1 lux)

Mounting height	↔	↔	↔	↔
2.5m	4.9	10.0	8.8	3.7
4m	5.3	10.4	8.9	4.1

## SPECIFICATIONS

Light Source	20x LED SMD 5730
IP Rating	IP65
Emergency Duration	3 hours (minimum)
Mains Voltage	230V 50Hz ± 10%
Mains Current (max)	75mA (max) 40mA quiescent (18W)
Recharge Period	Less than 24 hours
Charge Indicator	Integral green LED
Changeover Voltage	As per the requirements of BS EN 60598-2-22
Temperature Range	0°C to 40°C
Weight	950g
Battery	3.2v 3Ah LiFePo4

PRODUCT CODE	DESCRIPTION
E/BK/M3/LED/3/Li	Brook self contained 3 hour maintained emergency LED light
E/BK/M3/LED/3/ST/Li	Brook self contained, self-test 3 hour maintained emergency LED light
E/BZ/KIT/BROOK/WH	Brook semi-recessing bezel
E/PIC/ME/LED/PACK	Brook Pictogram Pack AD/AL/AR/AU
B/BATT/LI/TYPE2	Brook Battery- 3.2v 3Ah LiFePo4
E/EM/RC	Optional Remote Control

Deta Electrical Company Ltd.

UK: Panattoni Park Luton Road Chalton Bedfordshire LU4 9TT UK

EU: Unit 16 Ashbourne Industrial Estate Ashbourne Co. Meath A84 W972

sales@deta.co.uk