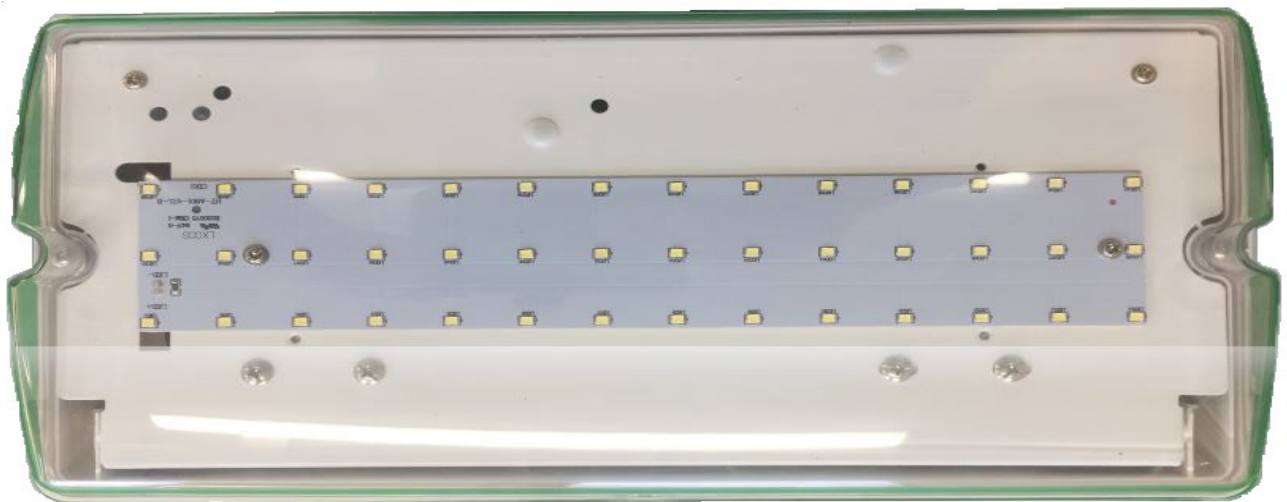


# CHANNEL

SAFETY SYSTEMS

# STRATOS ULTRA



**ULTRA HIGH OUTPUT**  
Emergency luminaire



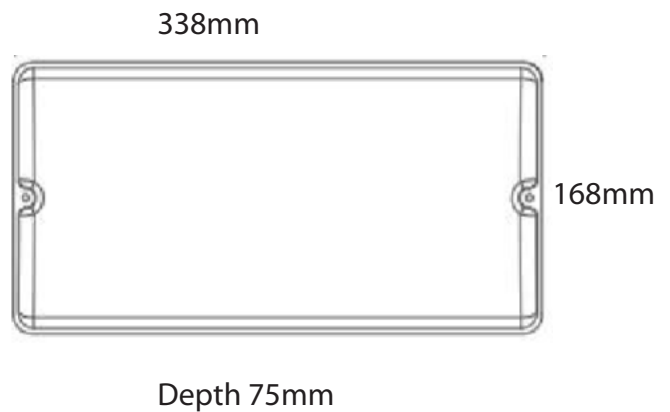
# LED Emergency Luminaire

The Stratos Ultra LED bulkhead is ideal for use in area with high ceilings or areas requiring high emergency lux levels- The Stratos Ultra gives 1500 lumen output in the emergency mode!

Mains LM output 1500Lm  
 Emergency LM output 1500Lm  
 Mains Wattage 18w  
 Battery Ni-cd 9.6v 4500mAh  
 LED 42x SMD 2835

## Features

- Approximately **15x** the light output of a typical LED bulkhead.
- Long life LED technology
- Maintained or non-maintained operation
- Polycarbonate construction with clear diffuser
- Hinged gear tray for easy installation
- Cable entry: rear, end & side of fitting
- Easy to install
- Low environmental impact
- Low running costs
- Low maintenance
- Meets BS EN 60598-2-22 and other relevant standards



Stratos Ultra	Mounting Height	Transverse Distance To wall	Transverse Distance between luminaires	Axial Distance to wall	Axial Distance between luminaires
1500Lm 1 lux	3m	8.40	14.30	8.30	14.00
	6m	11.40	20.30	9.20	19.70
	10m	11.30	20.60	11.10	20.10
	15m	12.85	26.10	10.30	25.80
	18m	13.10	31.40	12.60	27.30

## SPECIFICATIONS

Light Source	42x LED SMD 2835
IP Rating	IP65
Emergency Duration	3 hours (minimum)
Mains Voltage	230V 50Hz ± 10%
Mains Current (max)	90mA (18W)
Recharge Period	Less than 24 hours
Charge Indicator	Integral green LED
Changeover Voltage	As per the requirements of BS EN 60598-2-22
Temperature Range	-5°C to 40°C
Weight	950g
Battery	9.6V 4.5Ah Nickel Cadmium

PRODUCT CODE	DESCRIPTION
E/STRATOS/ULTRA	Stratos ultra self contained 3 hour maintained emergency LED light



[www.channelsafety.co.uk](http://www.channelsafety.co.uk)

Tel: 0845 884 7000

Email: [sales@channelsafety.co.uk](mailto:sales@channelsafety.co.uk)

Errors & omissions excluded. Specification is subject to change without notice.

revision-1