

**RECOMMENDED ROUTINE TEST  
PROCEDURE**

The following test is designed to ensure the continued protection of your premises and occupants. Because of the possibility of a failure of the normal lighting supply occurring shortly after a period of testing, all tests should, whenever possible, be undertaken at times of least risk, e.g. during daylight hours.

**ONCE A DAY**

Visual inspection of battery charge led.

**ONCE A MONTH**

Each unit should be energised from it's battery for adequate time to ensure, by simulation of a failure of the normal lighting supply, the emergency mode is functioning correctly.

**ONCE EACH YEAR**

All units should be placed into emergency mode and checked that the duration provided by the battery meets the specified time period.

**EMERGENCY LIGHTING  
LUMINAIRE INSTRUCTIONS  
& TEST PROCEDURES**

**FOREST & Vale Instructions 0912 iss2**

## **INSTALLATION**

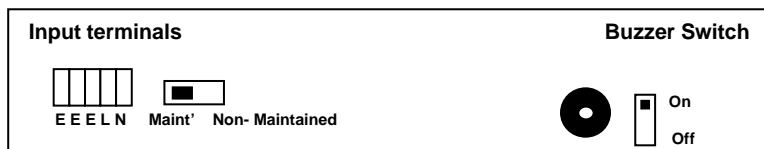
### **Forest**

1. Remove the white end cap,  
Slide the aluminium cover off,  
Feed the AC wire through the hole on the top of  
the aluminium housing into the main body of  
the light

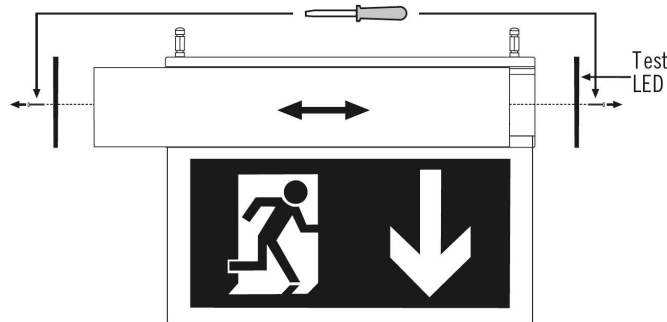
### **Vale**

2. Remove the diffuser from the body by  
unscrewing the two retaining screws.  
Fix base ceiling, cut out required 95mm x  
335mm. Minimum height clearance 55mm
3. ISOLATE THE A.C. SUPPLY and connect unit.  
An unswitched 230V A.C.±10% supply must be  
connected to the local permanent live (L).  
Earth and neutral (N) terminals on the PCB  
block. When Maintained operation is required,  
illumination can be achieved by switching the  
selection switch to the appropriate position.
4. The battery is pre-connected.
5. Fit the 'legend blade' Refit the & on the Forest  
the white end cap.
6. Operational Check – Restore the A.C. Supply for  
30 minutes and then remove. The LEDs should  
illuminate for at least 10 seconds.
7. Restore the A.C. supply and check that the  
indicator LED is 'on'.
8. A method of testing the luminaire should be  
incorporated in the supply circuit. This should  
be installed to fail the un-switched supply. A  
key switch may be suitable (EN 60598-2-  
22:1998 22.20.1)

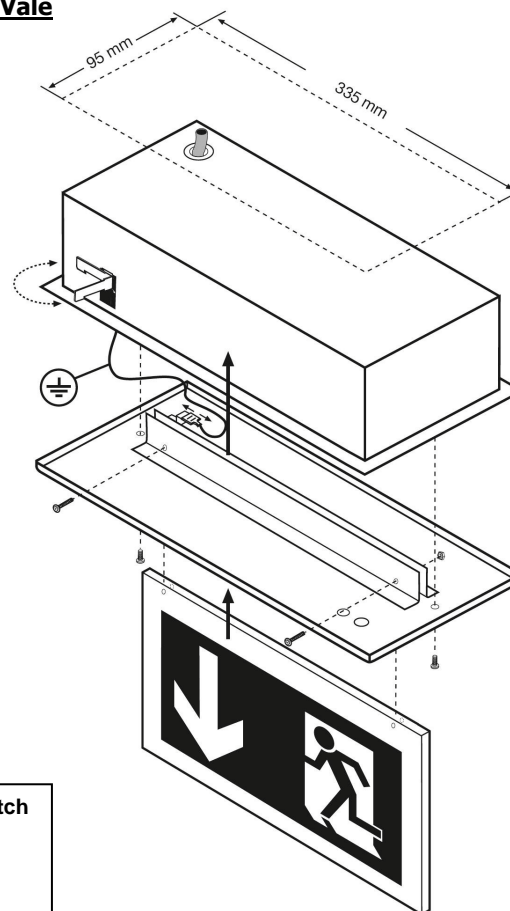
### **PCB layout**



### **Forest**



### **Vale**



## **OPERATION**

### **MAINTAINED OR NON-MAINTAINED OPERATION**

The mode of operation can be chosen using the selection switch. This gives either maintained (LED's always on) or non-maintained operation (LED's off until a power failure).

### **BUZZER**

The fault buzzer may be switched on or off using the buzzer selection switch.

### **MONITORING**

Green indicator lamp (LED) normally continuously 'on'. Indicator lamp goes out if A.C. Supply or charger fails.

### **BATTERY**

Sealed Nickel-Cadmium rechargeable battery pack.

### **TEMPERATURE**

Performance figures measured at 25 degrees C.

## **FAULT FINDING AND CORRECTIVE ACTION**

### **MONITORING LED NOT ILLUMINATED**

A.C. Supply not healthy. Battery not connected. Charger failed.

### **UNIT NOT MEETING REQUIRED EMERGENCY PERIOD**

May need cycling: Discharge then recharge for 24 hours. Re-test, Battery pack may need replacing if emergency duration still not met.

### **ENVIRONMENTAL PERAMETERS**

Rated performance limits:  
Temperature Min 5°C Max 25°C  
Humidity 80% max








## Forest & Vale 'Self-Test' fitting – Operating Instructions.

- **20 hours** after applying mains voltage a **function test** is automatically run (30 sec. The items checked are 'emergency changeover and lamp.
- After a further 4 hours, an automatic **3 hour duration test** is run. (If the test button is pressed for 5 sec. before the duration test has ended, the test is aborted.)
- Following the first duration test, regardless of whether or not this was passed, the weekly function test and yearly duration test are automatically started.

### Manual Operation.

Test button	Green LED	Status
Press for about 1 s	OFF	Emergency mode for 1 second
Press for about 3 s	Blinking	Function test for 30 seconds.
Press for about 5 s	Flashing	3 hour duration test
Press again for about 5 s		Interruption of duration test

### Meaning of the indicator LED

 Mains operation No fault	 Operation duration test failed
 Blinking Function test	 Blinking Lamp / changeover fault
 Flashing Operation duration test	 Flashing Battery / charging fault
 Mains failure + Emergency light operation	

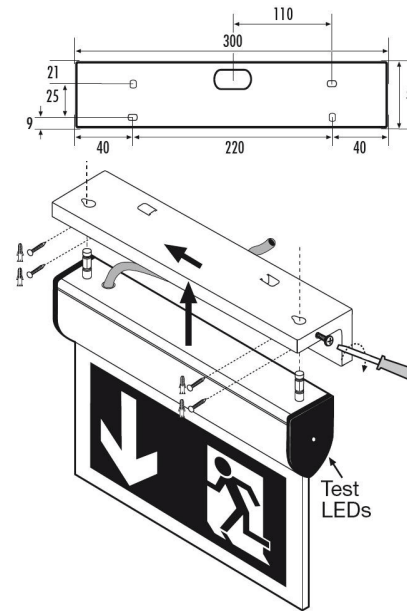
The status display can only be cleared after the fault has been rectified, mains voltage has been reapplied and a function test has been run.

### CHANGING THE RECHARGEABLE BATTERY

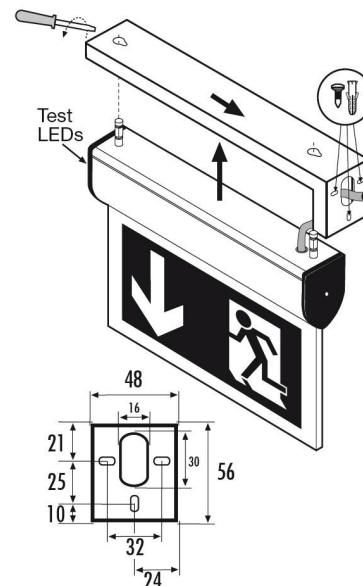
If the emergency duration is less than 180 min., the rechargeable battery has to be replaced. Use only original batteries from the manufacturer.

### Bracket options

#### Wall Bracket



#### Flag Bracket



### Ceiling Pole Bracket

Forest Fixing

