

CHANNEL

SAFETY SYSTEMS

iCapture™



Professional CCTV
from Channel Safety Systems

iCapture™

Complete professional CCTV range

The iCapture™ CCTV range has been specifically designed for the professional electrician, iCapture™ features comprehensive, state of the art high quality equipment suitable for various commercial, industrial and domestic applications.

The range is offered in a choice of ultra high resolution kits providing exceptional value for money and further scope to add to the system. Furthermore, system components can be purchased individually to create a customised security solution.

iCapture™ is easy to install and all relevant components are included in the kit boxes. For the connection to the internet instructions are supplied.

Features

- Kits come with an 8 channel DVR and 500GB hard drive as standard, all necessary connection leads and 4 cameras. This allows scope to add additional cameras if required.
- All cameras in the kit solutions are 800 TVL. This ensures consistent quality and superior imagery.
- All systems offer remote control and viewing over your computer system or smart phone subject to an additional connection.
- Universal day/night cameras with IR (infrared) illumination which allows a viewing distance of around 15m and above.



T/CCTV/KIT1 Boxed Bullet Camera Kit

- The IP66 cameras offer a high degree of weatherproofing. The concealed cable within the housing offers additional anti-vandal protection.
- DVRs come in either 8 or 16 channel and offer full VGA & HDMI outputs, they come complete with Western Digital hard drives. Both DVRs offer 4 recording options - continuous / scheduled / motion / sensor and record in D1, HD1 and CIF formats.
- Viewing of images can be in quad sequence or single channel viewing. The system allows for individual channel setup for recording and display. The supplied mouse allows for easy setup.

12 month guarantee

Power supply included

Easy to install

Schedule & Continuous

Alarm

Motion detection

Remote viewing

Local network

Mobile

4mm Bullet Camera Kit

KIT CONTAINS:-

- x2 4mm Bullet cameras
- x4 20m copper leads with connectors
- x1 remote control
- x1 power supply
- x1 mouse
- x1 8 channel DVR

SPECIFICATIONS

Signal System	PAL/NTSC
Total Pixels	PAL 795 (H) x 596 (V) 470K NTSC 811 (H) x 508 (V) 410K
Video Output Level	1.0 Vp-p (75 Ohm, composite)
Horizontal Resolution	800 TVL
Scanning System	2:1 Interlace
S/N Ratio	More than 50dB (AGC off)
Lens	4mm
Minimum Illumination	0 LUX (IR ON)
IR LED	20EA Ø5 (850nm 60°)
Power Voltage	DC12V
Operation Temp.	-10°C - 50°C



PRODUCT CODE

DESCRIPTION

T/CCTV/KIT/1/C

iCapture™ professional CCTV kit DVR 8 channel complete with 4x black bullet night & day 4mm 800 TVL cameras, 1 x power supply and 4x 20m copper leads with connectors

Dome Camera Kit

KIT CONTAINS:-

- x4 Night & Day IP66 dome camera kit
- x4 20m copper leads with connectors
- x1 remote control
- x1 power supply
- x1 mouse
- x1 8 channel DVR

SPECIFICATIONS

Signal System	PAL/NTSC
Total Pixels	PAL 795 (H) x 596 (V) 470K NTSC 811 (H) x 508 (V) 410K
Video Output Level	1.0 Vp-p (75 Ohm, composite)
Horizontal Resolution	800 TVL
Scanning System	2:1 Interlace
S/N Ratio	More than 50dB (AGC off)
Lens	4mm
Minimum Illumination	0 LUX (IR ON)
IR LED	20EA Ø5 (850nm 60°)
Power Voltage	DC12V
Operation Temp.	-10°C - 50°C



PRODUCT CODE	DESCRIPTION
T/CCTV/KIT/2/C	iCapture™ professional CCTV kit DVR 8 channel complete with 4x black external dome night & day dome IP66 800 TVL cameras, 1 x power supply and 4x 20m copper leads with connectors

Mixed Camera Kit

KIT CONTAINS:-

- x2 4mm Bullet cameras
- x2 Night & Day IP66 dome cameras
- x4 20m copper leads with connectors
- x1 remote control
- x1 power supply
- x1 mouse
- x1 8 channel DVR

SPECIFICATIONS

Signal System	PAL/NTSC
Total Pixels	PAL 795 (H) x 596 (V) 470K NTSC 811 (H) x 508 (V) 410K
Video Output Level	1.0 Vp-p (75 Ohm, composite)
Horizontal Resolution	800 TVL
Scanning System	2:1 Interlace
S/N Ratio	More than 50dB (AGC off)
Lens	4mm
Minimum Illumination	0 LUX (IR ON)
IR LED	20EA Ø5 (850nm 60°)
Power Voltage	DC12V
Operation Temp.	-10°C - 50°C



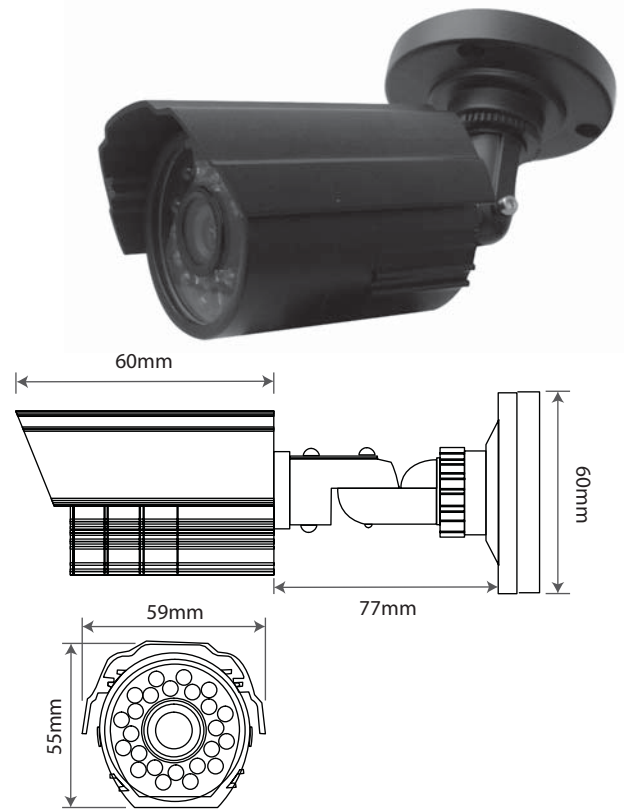
PRODUCT CODE	DESCRIPTION
T/CCTV/KIT/3/C	iCapture™ professional CCTV kit DVR 8 channel complete with 2x black night & day bullet & 2x external IR 800 TVL dome cameras, 1 x power supply and 4x 20m copper leads with connectors

4mm Bullet Camera

Features

- Remote Viewing
- Mobile Connectivity
- Fixed Lens
- 800 TVL ultra high resolution camera
- Cable concealed within camera housing

SPECIFICATIONS	
Signal System	PAL/NTSC
Total Pixels	PAL 795 (H) x 596 (V) 470K NTSC 811 (H) x 508 (V) 410K
Video Output Level	1.0 Vp-p (75 Ohm, composite)
Horizontal Resolution	800 TVL
Scanning System	2:1 Interlace
S/N Ratio	More than 50dB (AGC off)
Lens	4mm
Minimum Illumination	0 LUX (IR ON)
IR LED	20EA Ø5 (850nm 60°)
Power Voltage	DC12V
Operation Temperature	-10°C - 50°C
Weight	260g (Bracket included)



Images shows from top to bottom 4mm bullet camera, side and front views.

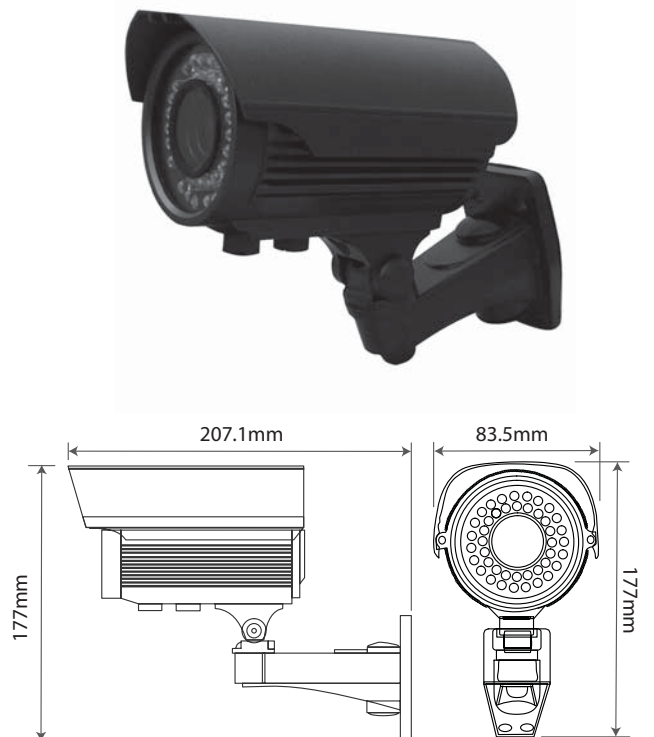
PRODUCT CODE	DESCRIPTION
T/CCTV/BULLET/4MM/C	External 4mm bullet camera 800 TVL, IP66, IR viewing distance 15m LED - Black

8mm Bullet Camera

Features

- Remote Viewing
- Mobile Connectivity
- Fixed Lens
- 800 TVL ultra high resolution camera
- Cable concealed within camera housing

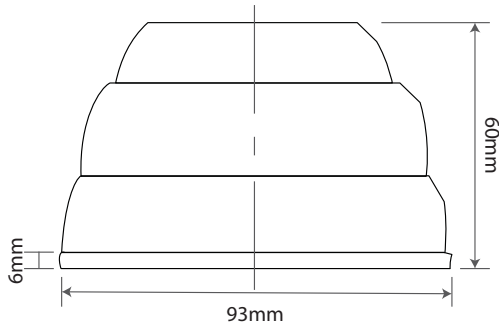
SPECIFICATIONS	
Signal System	PAL/NTSC
Total Pixels	PAL 795 (H) x 596 (V) 470K NTSC 811 (H) x 508 (V) 410K
Video Output Level	1.0 Vp-p (75 Ohm, composite)
Horizontal Resolution	800 TVL
Scanning System	2:1 Interlace
S/N Ratio	More than 50dB (AGC off)
Lens	8mm
Minimum Illumination	0 LUX (IR ON)
IR LED	42EA Ø5 (850nm 45°)
Power Voltage	DC12V
Operation Temperature	-10°C - 50°C
Weight	1000g



Images shows from top to bottom 8mm Bullet camera, side and front views.

PRODUCT CODE	DESCRIPTION
T/CCTV/BULLET/8MM/C	External 8mm bullet camera 800 TVL, IP66, IR viewing distance 25m LED - Black

Indoor Dome Camera



Images shows from top to bottom Indoor eyeball camera, side and front views.

PRODUCT CODE	DESCRIPTION
T/CCTV/DOME/INDOOR/C	Indoor dome 3.6mm camera 800 TVL, IR viewing distance 13m LED - White

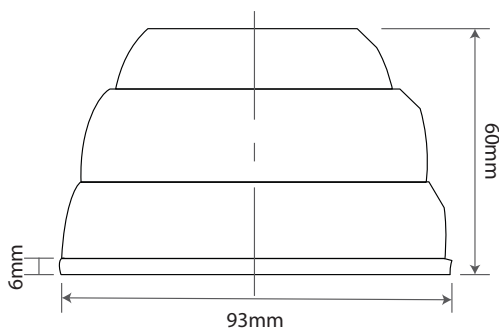
Features

- Remote Viewing
- Mobile Connectivity
- Fixed Lens
- 800 TVL ultra high resolution camera
- Cable concealed within camera housing

SPECIFICATIONS

Signal System	PAL/NTSC
Total Pixels	PAL 795 (H) x 596 (V) 470K NTSC 811 (H) x 508 (V) 410K
Video Output Level	1.0 Vp-p (75 Ohm, composite)
Horizontal Resolution	800 TVL
Scanning System	2:1 Interlace
S/N Ratio	More than 50dB (AGC off)
Lens	3.6mm
Minimum Illumination	0 LUX (IR ON)
IR LED	20EA Ø5 (850nm 60°)
Power Voltage	DC12V
Operation Temperature	-10°C - 50°C
Weight	210g

Outdoor Dome Camera



Images shows from top to bottom Outdoor eyeball camera, side and front views.

PRODUCT CODE	DESCRIPTION
T/CCTV/DOME/IP66/C	External dome 4mm camera 800 TVL, IP66, IR viewing distance 17m LED - Black

Features

- Remote Viewing
- Mobile Connectivity
- Fixed Lens
- 800 TVL ultra high resolution camera
- Cable concealed within camera housing

SPECIFICATIONS

Signal System	PAL/NTSC
Total Pixels	PAL 795 (H) x 596 (V) 470K NTSC 811 (H) x 508 (V) 410K
Video Output Level	1.0 Vp-p (75 Ohm, composite)
Horizontal Resolution	800 TVL
Scanning System	2:1 Interlace
S/N Ratio	More than 50dB (AGC off)
Lens	4mm
Minimum Illumination	0 LUX (IR ON)
IR LED	20EA Ø5 (850nm 60°)
IP Rating	IP66
Power Voltage	DC12V
Operation Temperature	-10°C - 50°C
Weight	350g

2.8 -12mm Varifocal Camera

Images shows from top to bottom 2.8-12mm Varifocal camera, side and front views.

SPECIFICATIONS	
Image Sensor	1/3 SONY SUPER HAD II (Effio-E)
Signal System	PAL/NTSC
Total Pixels	PAL: 1020 (H) x 596 (V) 600K NTSC: 1020 (H) x 508 (V) 510K
Horizontal Resolution	700TVL
Video Output Level	1.0 Vp-p (75 Ohm, composite)
Scanning System	2:1 Interlace
S/N Ratio	More than 50dB (AGC off)
Lens	2.8-12mm
Minimum Illumination	0 LUX (IR ON)
IR LED	5 (850nm 60°) 2EA IR array (850nm 45°)
IR RangeR	30-40m
IP Rating	IP67
Power Voltage	DC12V
Operation Temperature	-10°C - 50°C
Weight	1.1Kg

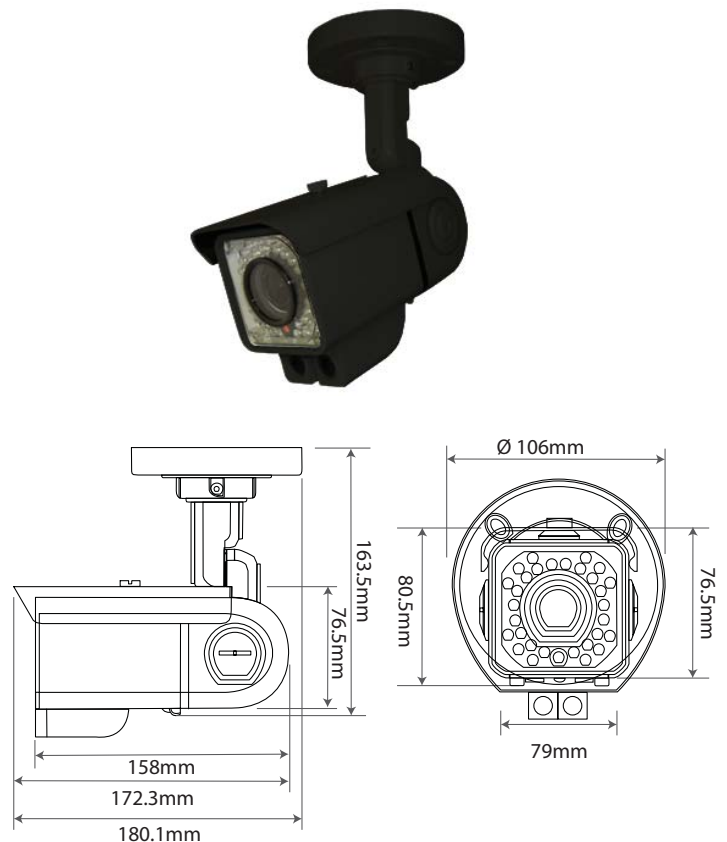


PRODUCT CODE	DESCRIPTION
T/CCTV/BULLET/2.8-12	External 2.8mm to 12mm varifocal bullet camera, IP66 with 35m IR viewing distance sony effio DSP 700 TVL

5 - 50mm Varifocal Camera

Images shows from top to bottom 5-50mm Varifocal camera with IR module, side and front views.

SPECIFICATIONS	
Image Sensor	1/3 SONY SUPER HAD II (Effio-E)
Signal System	PAL/NTSC
Total Pixels	PAL: 1020 (H) x 596 (V) 600K NTSC: 1020 (H) x 508 (V) 510K
Horizontal Resolution	700TVL
Video Output Level	1.0 Vp-p (75 Ohm, composite)
Scanning System	2:1 Interlace
S/N Ratio	More than 50dB (AGC off)
Lens	6-22mm
Minimum Illumination	0 LUX (IR ON)
IR LED	5 (850nm 60°)
IR RangeR	60-80m
IP Rating	IP67
Power Voltage	DC12V
Operation Temperature	-10°C - 50°C
Weight	1.24Kg



PRODUCT CODE	DESCRIPTION
T/CCTV/BULLET/5-50	External 5mm to 50mm varifocal bullet camera, IP67 with 60-80m IR viewing distance sony effio DSP 700 TVL, complete with IR module

Varifocal Dome Camera

Images shows from top to bottom Varifocal dome camera and side view.



SPECIFICATIONS

Image Sensor	1/3 SONY SUPER HAD II (Effio-E)
Signal System	PAL/NTSC
Total Pixels	PAL: 1020 (H) x 596 (V) 600K NTSC: 1020 (H) x 508 (V) 510K
Horizontal Resolution	700TVL
Video Output Level	1.0 Vp-p (75 Ohm, composite)
Scanning System	2:1 Interlace
S/N Ratio	More than 50dB (AGC off)
Lens	2.8-12mm
Minimum Illumination	0 LUX (IR ON)
IR LED	5 (850nm 60°)
IR RangeR	15m (indoor)
IP Rating	IP67
Power Voltage	DC12V or DC12V/AC24V dual voltage
Operation Temperature	-10°C - 50°C
Weight	900g

PRODUCT CODE DESCRIPTION

T/CCTV/DOME/IP66/2.8-12 External 2.8 to 12mm varifocal dome camera vandal resistant, IP66 with 15m IR viewing distance sony effio DSP 700 TVL



Images show from left to right PTZ dome camera with wall bracket, ceiling bracket and side views.

PTZ Dome Camera Kit

The weatherproof PTZ (Pan Tilt Zoom) camera can be used for both outdoor and indoor applications. The primary advantage of our PTZ camera is that it integrates both the lens and LEDs into a single unit in order to address light reflection issues.

The PTZ camera offers the ultimate in controlled surveillance with 360° continuous horizontal rotation with 90° vertical movement. 5-15mm zoom lens with F2.2 2.0MP auto focus & Low-noise camera rotation motor. Memory function retains settings in case of power loss.

SPECIFICATIONS

Image Sensor	Colour 1/3" Sony Exview CCD & Effio-E DSP
Total Pixels	PAL 976 (H) x 582 (V) 470K NTSC 976 (H) x 5494 (V) 410K
Video Output Level	1.0Vp to p75Ω, BNC connection
Horizontal Resolution	650 TVL
Scanning System	2:1 Interlace
S/N Ratio	>56dB
Lens	5-15mm zoom lens with F2.2 2.0MP auto focus
Power Voltage	DC12V
Pan Scan	Horizontal 0° to 360°
Tilt Scan	Vertical 0° to 90°
Pan/Tilt Speed	10° per second

PRODUCT CODE DESCRIPTION

T/CCTV/PTZ/DOME IP66 Mini pan tilt zoom dome camera complete with PSU, 33m lead with connectors, wall/ceiling bracket & fixing screws. 1/3" sony effio CCD & DSP. 650 TVL & 5-15mm 2.0 mega pixel auto zoom lens with IR 30m

8 Channel DVR



Features

- Anti-tamper
- Multiple record & alarm modes
- Intelligent motion trigger recording
- Motion Detection: selectable area & sensitivity
- Remote alarm notification via email images
- Remote mobile phone monitoring (3G Network is required, supported phones Blackberry, iPhone, Google android)
- Variable Frame rate & quality level
- Support D1, HD1 and CIF recording resolution
- Supports remote live viewing
- Supports USB mouse operation
- Supports hiding & switching channels
- System auto recovery after power reconnected
- Video loss alarm function
- IR remote control & USB 2.0
- Password protection function
- Privacy area option

SPECIFICATIONS

Model No.	T/CCTV/DVR/8CH/2
Video Compression	H.264
Video System	NTSC/PAL
Operation System	Linux (embedded)
Input / Output - Video	BNC: 8CH input /1CH output
Input / Output - Audio	RCA: 2CH input /1CH output
Display - Resolution	PAL:720x576@25fps(each ch,Frame) NTSC:720x480@30fps(each ch,Frame)
Display - Feature	Single/ Quad/Nine/S.E.Q.
Record - Resolution	PAL :D1 mode 360x288(CIF),720x288(HD1),720x576(D1) NTSC:D1 mode 360x240(CIF),720x240(HD1),720x480(D1)
Record - Speed	PAL: (each ch,Frame) CIF/HD1/D1:25fps, WCIF:25fps; NTSC: (each ch,Frame) CIF/HD1/D1:30fps, WCIF:30fps;
Record Mode	Continuous/Manual/Motion detect /Sensor/Alarm recording
Playback Channel	1/4/9ch
Playback speed simultaneously 8CH Record	PAL: (each ch,Frame) CIF /HD1/D1 :25fps(1CH-4CH) CIF /HD1/D1 :12fps(8 CH) NTSC: (each ch,Frame) CIF /HD1/D1 :30fps(1CH-4CH) CIF /HD1/D1 :15fps(8CH)
Sensor & Alarm I/O	NC
Network	Lan, DHCP, Dynamic IP and DDNS
HDD interface	1SATA HDDs, up to 2TB
Multiplex Operation	live display, record, playback, backup and network
USB	2xUSB(for mouse and backup/upgrade)
PTZ Control	Built in RS485, support Pelco-P & Pelco-D
Mobile Surveillance	Support Mobile Phones based on Windows mobile, Symbian, iPhone, Blackberry and Android operation system
VGA	800 x 600, 1024 x 768, 1280 x 1024, 1440 x 900, 1920 x 1080
HDMI	1080P
Power Supply	DC 12V 2A
Dimension(wxDxH)	250.5mm x 217mm x 47mm

PRODUCT CODE	DESCRIPTION
T/CCTV/DVR/8CH/2	8 Channel DVR fitted with 1x 500GB hard drive complete with PSU, Remote control and mouse

16 Channel DVR



SPECIFICATIONS	
Model No.	T/CCTV/DVR/16
Video Compression	H.264
Video System	NTSC/PAL (Switching)
Operation System	Linux
Input / Output - Intercom	BNC: 1-ch line in
Input / Output - Video	BNC: 16-ch input/2-ch output (Vout/Vspot)
Input / Output - Audio	BNC: 16-ch input/2-ch output (Aout/Aspot)
Display - Resolution	D1: 704 x 576(PAL) 704 x 480(NTSC); HDMI: 1920 x 1080 (optional)
Display - Frame Rate	NTSC: 480fps/PAL: 400fps (shared by 16 cameras)
Record - Resolution	D1/HD1/CIF
Record - Frame Rate	(PAL) 400fps@CIF, (NTSC) 480fps@CIF each channel is adjustable
VGA	Included resolution: 800x600, 1024x768, 1290x1024, 1440x900
Recording Quality	High/Normal/Low
HDD Interface	2xSATA fixed HDD/1xSATA removable HDD
HDD Capability	2x2TB/each
Monitoring Resolution	PAL: D1(704*576)/NTSC: D1(704x480)
Record/Playback Resolution	D1/HD1/CIF
Display Frame Rate	PAL: 400fps/NTSC: 480fps
Total Recording Frame Rate	PAL: 400fps@CIF/NTSC: 480fps@CIF
Display Mode	1/4/9/16 Screen combinations, Zoom In/Out in special area, PIP, SEQ Cruise
Recording Pack Time	15/30/45/60 mins selectable
Recording Mode	Always/scheduled/motion detection/sensor triggered
Playback	16ch playback simultaneity real time, (PAL) 400fps@CIF (NTSC)480fps@CIF
Playback Search	Time & Date/Event List
Playback Mode	Normal/Fast Rewind/Fast Forward/Manual
Alarm Mode	Motion Detection/Sensor Triggered/Loss Video
Sensor & Alarm	16ch sensor inputs/1ch alarm output
USB 2.0	2 USB 2.0 port support backup or upgrade/mouse/removable HDD
PTZ Interface	Built-in RS-485 port
PTZ Control	PELCO-P/PELCO-D protocol, local/PC/mobile phone control
Network Interface	RJ-45 10M/100M
Network Protocol	TCP/IP, UDP, SMTP, DHCP, DNNS, PPPoE
Network Frame	PAL: LAN: 400fps@CIF, INTERNET 96fps@CIF NTSC: LAN: 480fps@CIF, INTERNET 96fps@CIF
Network Function	IE viewer/Live monitoring/DVR setting/mobile & email function/NTP function
Mobile Software	iPhone, Blackberry & Google Android
Mobile Function	1 Channel viewer/Channel switch/Control PTZ
Backup	USB 2.0 flash drive, Network(AVI format), USB DVD
Pre-recording through alarm	Support 10s pre-record
Sensor & Alarm I/O	16 sensor inputs/1 alarm output
Working Temperature	10°C - +40°C
Working Humidity	10%-90%
IR Remote/Mouse	Included
Power Supply	DC12V/4A
Dimension	378mm x 332.5mm x 51.7mm

Features

- Network transmission
- Supports remote live viewing
- Point to point intercom
- Multiple record & alarm modes
- Remote independent operation
- Intelligent motion trigger recording
- Supports event schedule and time search
- Remote alarm notification via email images
- 16 CH real time CIF recording
- Supports USB mouse operation
- Support up to 2x2TB SATA HDDs
- Supports hiding & switching channels
- Pentaplex operation: record, playback, backup, network & mobile phone surveillance
- IE based remote control DVR
- Support to send live pictures to appointed email address while alarm triggered
- IR remote control & USB 2.0
- Video loss alarm function
- Privacy area option

PRODUCT CODE	DESCRIPTION
T/CCTV/DVR/16	16 Channel DVR fitted with 2x 500GB hard drives complete with PSU, remote control and mouse

Accessories



T/CCTV/MON/19



T/CCTV/PSU/4 WAY



T/CCTV/PSU/1 WAY

PRODUCT CODE	DESCRIPTION
T/CCTV/MON/19X100	19" LCD monitor with VGA connector & lead
T/CCTV/PSU/4 WAY	Power supply DC 12V 3A with 1-4 way output connectors
T/CCTV/PSU/5A/5	5 Way - 5amp boxed power supply
T/CCTV/PSU/10A/9	9 Way - 10amp boxed power supply
T/CCTV/PSU/20A/18	18 Way - 20amp boxed power supply
T/CCTV/PSU/1 WAY	Power Supply DC 12V 1 Amp single output connector



T/CCTV/BRACKET/1



T/CCTV/HD/500GB



T/CCTV/LEAD/20M



T/CCTV/BALUN



E/CHWG/12



T/CCTV/SIGN/1

PRODUCT CODE	DESCRIPTION
T/CCTV/BRACKET/1	Bracket for use with dome cameras (camera NOT included)
T/CCTV/HD/500GB	Spare 500GB hard drive
T/CCTV/LEAD/20M	CCTV lead (pure copper cable) 20 metres with connectors
T/CCTV/SIGN/1	A5 self adhesive window sticker 148mm x 210mm (warning 24hr CCTV)
T/CCTV/BALUN	Transmission device to transmit video signal over un-shielded twisted pair cable (max 330m)
E/CHWG/12	Wire cage H224mm x W195mm x D325mm
T/CCTV/BNC	BNC crimp connectors for use with RG59 coaxial cables
T/CCTV/2M	Double female BNC coupler to join pre-made shotgun cables together
T/CCTV/DC2	Male & Female power connector for use with CAT 5 cable

Need help setting up your DVR?

We offer a **chargeable** assistance service, whereby we can contact you to assist in setting up your DVR to the internet or mobile phone.

Please contact us to arrange a phone appointment. It is VITAL that you have the details listed below to hand before we can assist you.

Please contact the sales team on **0845 884 7000** for an official quote.

- Who is your broadband provider?
- Do you have their helpline details?
- Does your broadband provider give you a STATIC IP address?
- Do you know your STATIC IP address?
- Do you know your internet router IP address?
- Do you know your administrator password for your router?
- Has your router got Ethernet Ports (Lan Ports)?



TECHNICAL SUPPORT

T/CCTV/ASSIST

Remote help setting up your DVR to the internet or mobile phone (Phone appointment)

Legal Issues

Some key points to note when installing your CCTV surveillance system are :-

- Domestic use – No restriction, but cameras should be positioned so that they don't overlook neighbours if possible.
- Business use – All systems must be registered with the Information Commissioners office on line at www.ico.gov.uk/onlinenotification/?page=7.html
- If members of the public can be recorded then warning signs must be used. This includes visitors to business premises.
- Audio – Must not be used.



Understand Your CCTV

CCTV is used to Monitor, Detect, Recognise and Identify. Pictures shown will help identify your exact requirements, once this has been decided the next thing you need is to select the correct equipment to meet those needs.



Monitor



Detect



Recognise



Identify

Typical viewing distances

Photographs to the right will help you choose the best camera to meet your CCTV requirement. The van in the picture has been photographed using a 3.6mm lens and then a 12mm lens from 5 through to 15 metres distances.

3.6mm Lens



12mm LENS



15M

10M

5M

TVL Comparison



Image above shows image captured with 420 TVL IR night camera
Image below shows image captured with 700 TVL IR night camera



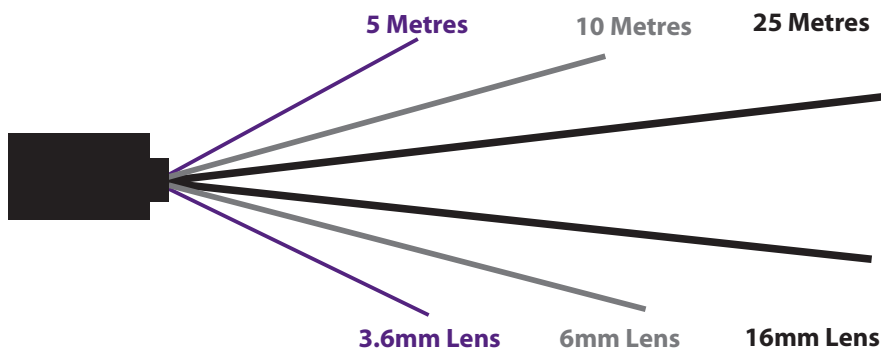
iCapture kit cameras use CMOS technology (complementary metal oxide semiconductor) which converts light to electronic signals.

- CMOS transfer the image via matching each pixel to its own charge-to-voltage converter
- CMOS transfer data much faster than CCD
- CMOS transfer digital signals rather than a voltage to be converted
- CMOS offer a more cost effective solution

All iCapture cameras offer ultra high resolution and either 800 TVL or 700 TVL (Television Lines). The higher the TVL the better the clarity of the image produced. The images to the left show the difference between 420 and 700 TVL clarity when taken at night using infrared enhanced cameras.

As you can see the definition, especially on the boxes towards the back of the warehouse have much greater definition using the 700 TVL camera, so the performance is even further enhanced with the 800 TVL options.

iCapture Lens Guide



This lens calculator displays the viewing angle and the focal distance for CCTV lenses within the iCapture range.

The chart shows the distance you can view small objects such as car number plates with varying lens sizes.

As the viewing distance increases your angle of view decreases, therefore if you selected a 3.6mm lens over a 15mm lens you may not be able to view objects that are far away but you would have a wider field of view.

CCD Size (Inch)	A	B	C
1/3" (T/CCTV/DOME/INDOOR/C)	3.6mm	68	5
1/3" (T/CCTV/DOME/IP66 & T/CCTV/BULLET/4MM/C)	4.0mm	62	5
1/3" (T/CCTV/PTZ/DOME)	6.0mm	43	10
1/3" (T/CCTV/BULLET/8MM & T/CCTV/PTZ/DOME)	8.0mm	33	14
1/3" (T/CCTV/PTZ/DOME)	12.5mm	21	20
1/3" (T/CCTV/PTZ/DOME)	15mm	17	23

A) Lens Size (mm)

B) Angle of View (Degrees)

C) Max Distance a Number Plate May Be Read From in (Metres)

SMILE! YOU'RE ON



iCapture™

the CCTV kit in a box solution incorporating

***Sony Effio technology & multi
way DVR's*** from Channel Safety Systems



So what's in the box?

- | | |
|---------------------|-----------------|
| 4x 700 TVL Cameras | 1x Power supply |
| 4x 20m Copper leads | 1x Mouse |
| 1x 8 Channel DVR | 1x Remote |

Complete with a full set of Instructions

GET INTERACTIVE

Scan the code for more information relating to CCTV, including installation videos.

www.channelsafety.co.uk/CCTV

