

# CHANNEL

SAFETY SYSTEMS

# Laser Pack



## Emergency lighting conversion kits from Channel Safety Systems

### CHANNEL SAFETY SYSTEMS

Petersfield Business Park  
Bedford Road  
Petersfield  
Hampshire  
GU32 3QA

t: 0845 884 7000

f: 0845 884 6000

e: [sales@channelsafety.co.uk](mailto:sales@channelsafety.co.uk)

w: [www.channelsafety.co.uk](http://www.channelsafety.co.uk)

INSTRUCTION MANUAL

# LASER PACK - LOW VOLTAGE CONVERSION KIT (65mm)

**NON - DIMMABLE - please contact us on 0845 884 7000 if you wish to use a dimmer.**

## Non Maintained Unit

E/LVK/M3T/50/C2 - 20-50W Laser-pack low voltage kit - to fit 65mm hole (does not include electronic transformer and S1, S2 are not connected)

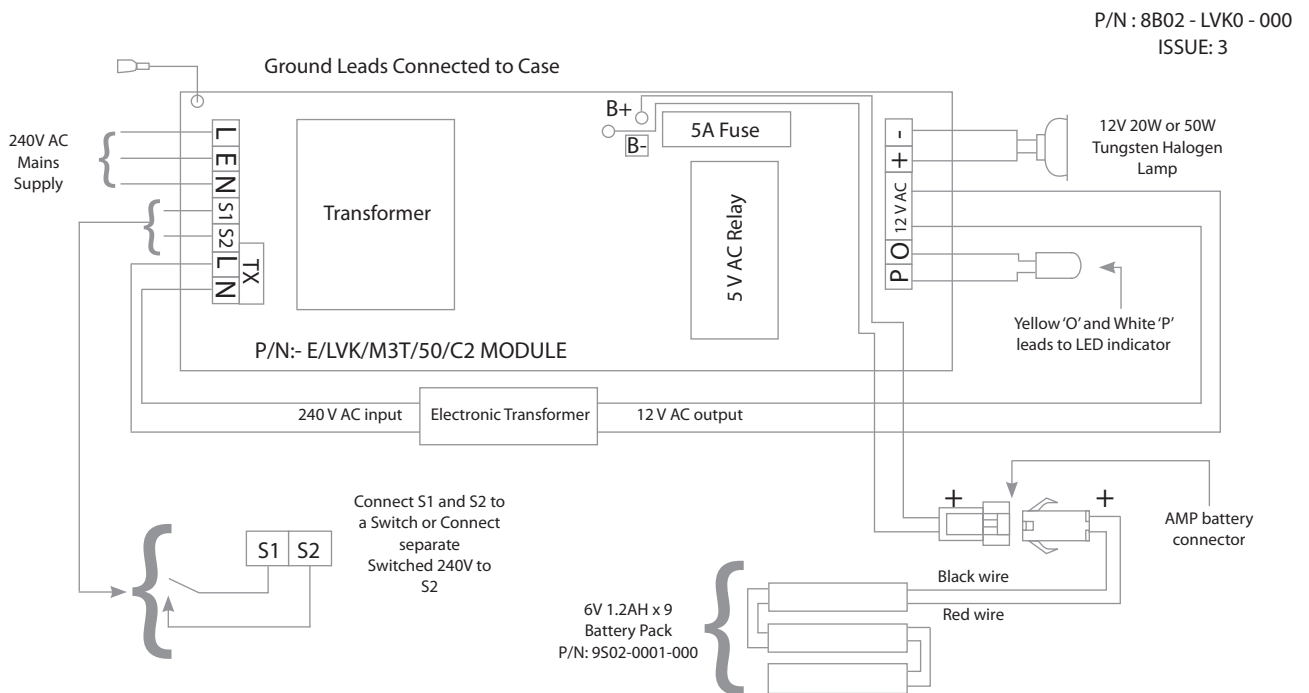
E/LVK/M3T/20-50W - 20-50W Laser-pack low voltage kit

Please note: for remote indication connect yellow wire from LED to 'O' and white wire from LED to 'P'. After a very short mains failure the LED may take 1 minute to illuminate.

# INTERCONNECTION AND WIRING DIAGRAM FOR E/LVK/M3T/50/C2

## Installation Instructions

1. Unscrew the two screws from case.
2. Make connections as diagram below...





**CHANNEL SAFETY SYSTEMS**

Petersfield Business Park  
Bedford Road  
Petersfield  
Hampshire  
GU32 3QA

t: 0845 884 7000

f: 0845 884 6000

e: [sales@channelsafety.co.uk](mailto:sales@channelsafety.co.uk)

w: [www.channelsafety.co.uk](http://www.channelsafety.co.uk)