

CHANNEL

SAFETY SYSTEMS

motionpro™



Security lighting range
from Channel Safety Systems



Security lighting range

The MotionPro floodlight range utilises passive infrared technology to detect heat radiation of moving objects such as people & vehicles.

Features

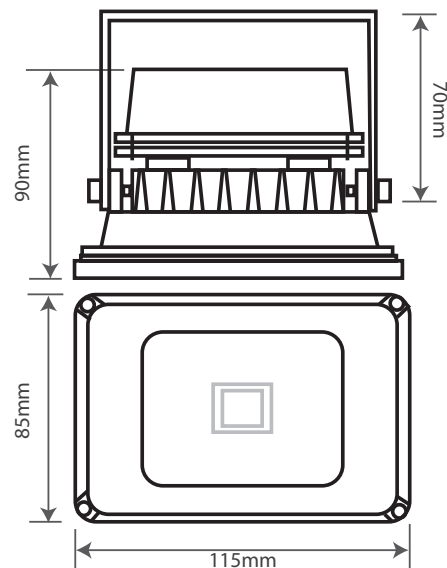
- Available as 10W, 30W, 50W (with or without PIR) & 80W versions
- Stainless steel mounting bracket, aluminium construction and a robust design - shock and vibration resistant
- Low running cost & low maintenance
- No minimum 'on/off time' required
- Long life LED technology
- Power factor ≥ 0.95
- Instant re-strike
- High brightness, white light incorporating Bridgelux® LED components
- Good colour rendition
- Eco-friendly - no lead, mercury, argon, xenon or krypton gases
- PIR and remote PIR sensor options available



Lumen comparison chart

LUMENS	LAMP	LED FLOODLIGHT	LUMENS
2100	200W linear halogen	30W	2500
4800	300W linear halogen	50W	4250
9500	500W linear halogen	80W	6500
HQI (CDMT)			
1650	20W	30W	2500
3600	35W	50W	4250
7300	70W	80W	6500
Son T			
3400	50W	50W	4250
5900	70W	80W	6500

10W LED Floodlight



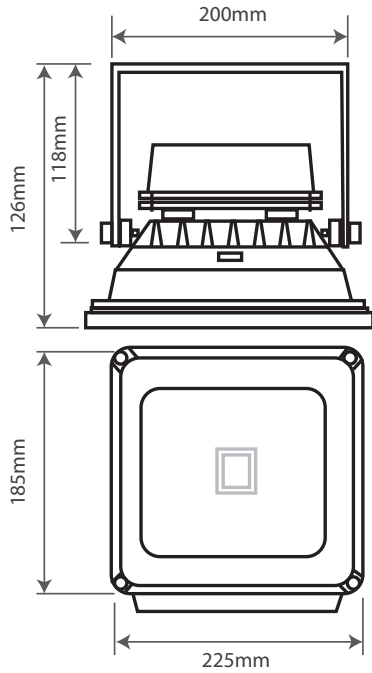
Please note diagram shown is without PIR sensor

10W LED FLOODLIGHT	
Input Voltage	240V AC 50/60Hz
Power Factor	≥ 0.95
Power Efficiency	$\geq 80\%$
LED Power	10W
LED Luminous Efficiency	$\geq 90\text{lm/W}$
CRI	RA>70
Beam Angle	120°
Colour Temperature	5500 - 7000K
Operational Condition	Temperature:- 30°C~50°C
Ingress Protection	IP65
Weight	0.5Kg

PRODUCT CODE	DESCRIPTION
E/FLOOD/LED/10W	Motionpro LED 10W floodlight
E/FLOOD/LED/10W/PIR	Motionpro LED 10W floodlight with PIR

**LED**

30W LED Floodlight



Please note diagram shown is without PIR sensor



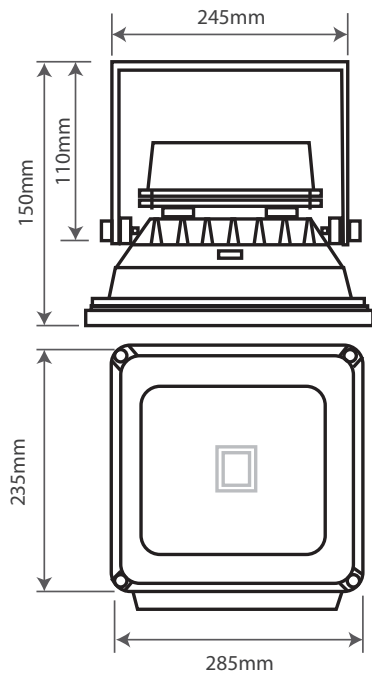
30W LED FLOODLIGHT

Input Voltage	240V AC 50/60Hz
Power Factor	≥0.95
Power Efficiency	≥85%
LED Power	30W
LED Luminous Efficiency	≥90lm/W
CRI	RA>70
Beam Angle	120°
Colour Temperature	5500 - 7000K
Operational Condition	Temperature:- 30°C~50°C
Ingress Protection	IP65
Weight	2Kg

PRODUCT CODE	DESCRIPTION
E/FLOOD/LED/30W	Motionpro LED 30W floodlight
E/FLOOD/LED/30W/PIR	Motionpro LED 30W floodlight with PIR

**LED**

50W LED Floodlight



Please note diagram shown is without PIR sensor



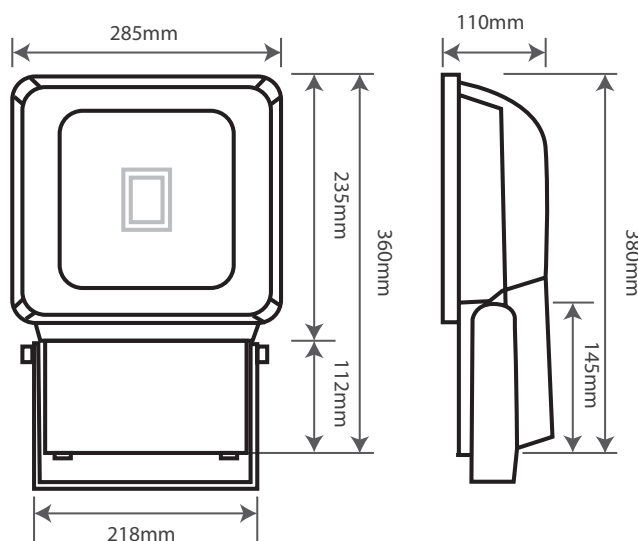
50W LED FLOODLIGHT

Input Voltage	240V AC 50/60Hz
Power Factor	≥0.95
Power Efficiency	≥85%
LED Power	50W
LED Luminous Efficiency	≥90lm/W
CRI	RA>70
Beam Angle	120°
Colour Temperature	5500 - 7000K
Operational Condition	Temperature:- 30°C~50°C
Ingress Protection	IP65
Weight	3Kg

PRODUCT CODE	DESCRIPTION
E/FLOOD/LED/50W	Motionpro LED 50W floodlight
E/FLOOD/LED/50W/PIR	Motionpro LED 50W floodlight with PIR



80W LED Floodlight



80W LED FLOODLIGHT

Input Voltage	240V AC 50/60Hz
Power Factor	≥0.95
Power Efficiency	≥85%
LED Power	80W
LED Luminous Efficiency	≥90lm/W
CRI	RA>70
Beam Angle	120°
Colour Temperature	5500 - 7000K
Operational Condition	Temperature:- 30°C~50°C
Ingress Protection	IP65
Weight	5.75Kg

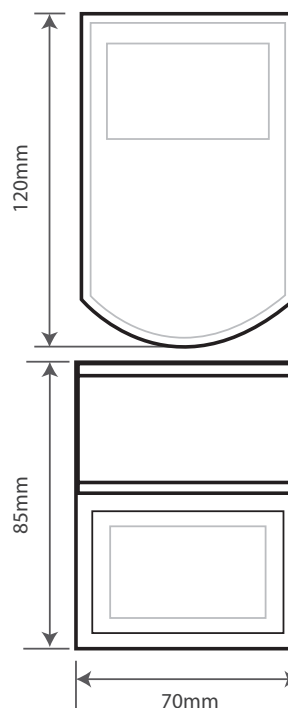
PRODUCT CODE	DESCRIPTION
E/FLOOD/LED/80W	Motionpro LED 80W floodlight

Remote PIR Movement Detector



REMOTE PIR MOVEMENT DETECTOR

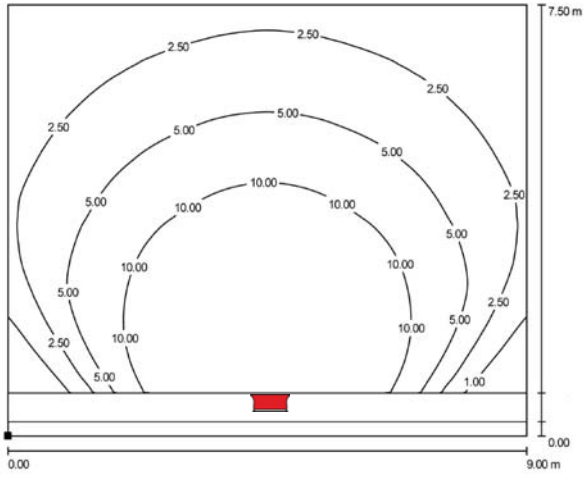
Detection Coverage	12m 140° Adjustable in vertical & horizontal planes
Power Source	240V 50Hz
Working Temperature	-20 ~ +40
Ambient Light	3-2000LUX (adjustable)
Working Humidity	<93%RH
Time-Delay	Min: 10sec + 3sec Max: 7min + 2min
Power Consumption	0.45W(work)
Rated Load	1200W (incandescent lamp) 300W (energy - saving lamp)
Detection Moving Speed	0.6 ~ 1.5m/s
Detection Distance	12m max (<24°C IP44)
Ingress Protection	IP44
Weight	0.2Kg



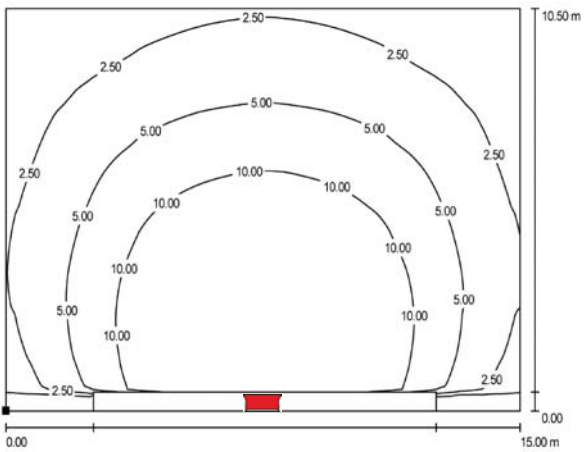
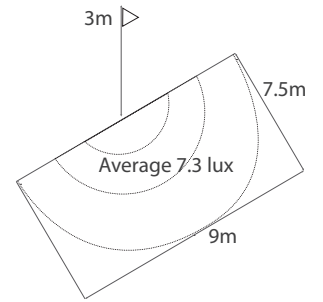
The Remote PIR movement detector can be connected to any fitting without a PIR sensor to convert to a movement detector floodlight.

PRODUCT CODE	DESCRIPTION
E/MP/PIR/BK	PIR movement detector for remote mounting

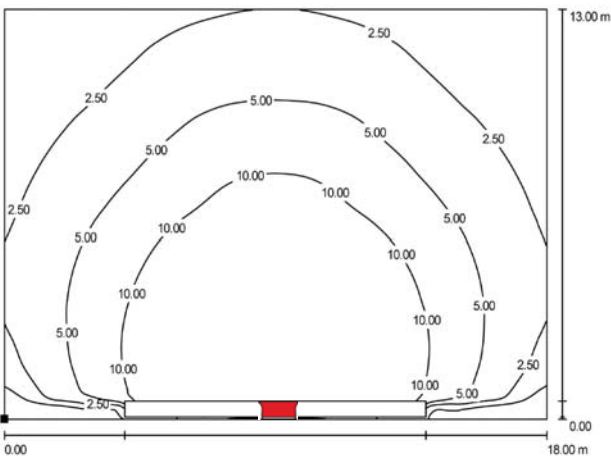
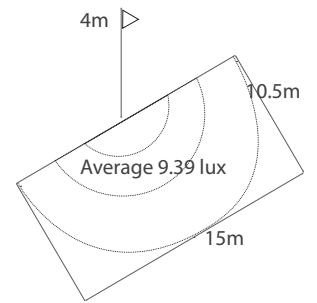
Performance Data



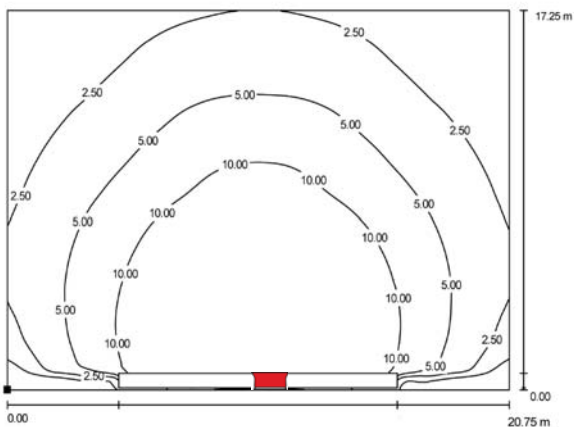
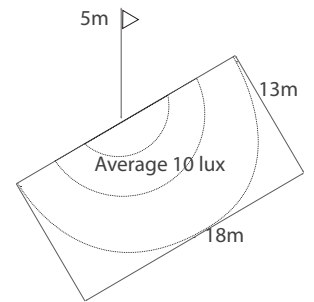
10W LED FLOODLIGHT	
Mounting height	3m
Eav[x]	7.31
Emin[x]	0.03
Emax[x]	31



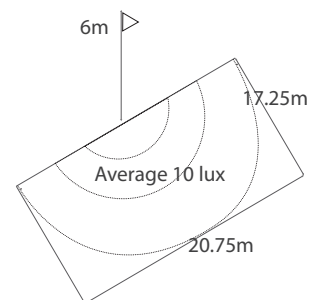
30W LED FLOODLIGHT	
Mounting height	4m
Eav[x]	9.39
Emin[x]	0.04
Emax[x]	47



50W LED FLOODLIGHT	
Mounting height	5m
Eav[x]	10
Emin[x]	0.11
Emax[x]	72



80W LED FLOODLIGHT	
Mounting height	6m
Eav[x]	10
Emin[x]	0.11
Emax[x]	72



Other lighting products available from Channel Safety Systems include:

CHANNEL
SAFETY SYSTEMS

alpine™




The new LED emergency exit sign from Channel Safety Systems

LED

CHANNEL
SAFETY SYSTEMS

Dale



LED emergency exit signage from Channel Safety Systems

LED

CHANNEL
SAFETY SYSTEMS

Vale



LED emergency exit signage from Channel Safety Systems

LED

CHANNEL
SAFETY SYSTEMS

forest



LED emergency exit sign from Channel Safety Systems

LED

CHANNEL
SAFETY SYSTEMS

Razor™



LED emergency exit signage from Channel Safety Systems

LED

CHANNEL
SAFETY SYSTEMS

meteor LED



LED emergency luminaire from Channel Safety Systems

LED

CHANNEL
SAFETY SYSTEMS

brook



LED emergency luminaire from Channel Safety Systems

LED

CHANNEL
SAFETY SYSTEMS

flushlight LED



LED emergency luminaire from Channel Safety Systems

LED

CHANNEL
SAFETY SYSTEMS

Grove




LED Twin Spot from Channel Safety Systems

LED

CHANNEL
SAFETY SYSTEMS

Glen Mini Downlight



LED emergency downlight from Channel Safety Systems

LED

CHANNEL
SAFETY SYSTEMS

SafeSpot™




LED emergency downlights from Channel Safety Systems

LED

CHANNEL
SAFETY SYSTEMS

LED, Fluorescent & Halogen Emergency Lighting Conversion Kits



Emergency lighting conversion kits from Channel Safety Systems

LED

CHANNEL
SAFETY SYSTEMS

LumenEx



Conventional fluorescent emergency signage from Channel Safety Systems

FLUORESCENT

CHANNEL
SAFETY SYSTEMS

meteor FLUORESCENT




Conventional fluorescent luminaires & signage from Channel Safety Systems

FLUORESCENT

CHANNEL
SAFETY SYSTEMS

flushlight



Conventional fluorescent luminaires & signage from Channel Safety Systems

FLUORESCENT

CHANNEL
SAFETY SYSTEMS

Lumen 8



Conventional fluorescent and emergency luminaire from Channel Safety Systems

FLUORESCENT

