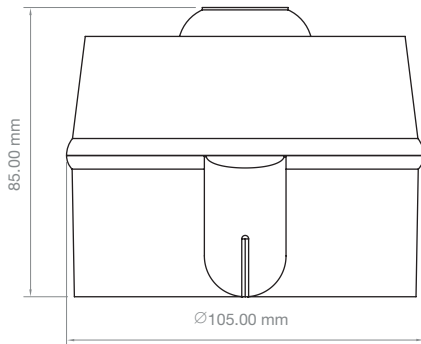


VOCALARM Voice Enhanced Sounder



Description

The VOCALARM voice enhanced sounder brings a new dimension to fire detection and evacuation systems. With improved human response time, rapid exit from buildings is now achievable at a cost effective price.

Each VOCALARM is synchronised by the use of a high frequency crystal oscillator.

Clarity is maintained via the use of a high quality digitised voice messaging system that makes use of a low current drive circuit. For two stage alarms, a continuous tone is fitted to the VCL01. Separate alert and evacuation messages may be selected for the VCL02.

With a growing choice of a of messages for a wide variety of applications including fire, security and factory automation, the VOCALARM gives increased flexibility for those requiring the very best human response in an emergency situation.

Bespoke messages are also available in English and other languages.

Message List

01A	Attention! Attention! please leave by the nearest exit.
02B	In the interest of safety please evacuate the building immediately.
03C	Fire! Please leave the building. Fire! Leave the building.
04D	Fire Emergency! Please remain calm and evacuate the building immediately.
05E	A fire has been detected, please leave the building by the nearest exit.
06F	A fire detector has operated. Please leave the building via the nearest exit.
07G	We have an emergency. Please leave the building via the nearest exit.
08H	Fire emergency! Please leave the building
09J	In the interests of fire safety, please leave the building by the nearest exit.
10K	This is a fire alarm. Please leave the building via the nearest exit.
11L	This is a fire warning. Please evacuate the building.
12M	Emergency. Please leave the building via the nearest exit.
13N	This is a security alert. Please leave the building via the nearest exit.
14P	There has been a security breach. Please leave the building as directed by staff.
15Q	This is a secure area. Do not enter at the present time.
16R	This is a general evacuation alert. Please leave the building.
17S	Staff Alert Code 100. Staff Alert Code 100.
18T	Staff Alert Code 101. Staff Alert Code 101.
19U	Staff Alert Code 102. Staff Alert Code 102.
20V	This is a security alert. Please leave the building as directed by staff.
21W	Warning! Stand clear of all machinery. Warning! Stand clear of all machinery.
22X	This is a start up warning. Please stand clear of all machinery.
23Y	This is a no-smoking vehicle. Please extinguish your cigarette.
24Z	This is a no-smoking area. Please extinguish your cigarette. A member of staff has been contacted
25AA	Warning! Pump starting. Warning! Pump starting.
26AB	Warning! High moisture level detected. Warning! High moisture level detected.
27AC	Warning! High level reached. Warning! high level reached.
28AD	Warning! Weight limit reached. Warning! Weight limit reached.
29AE	Attention! Attention! In the interest of safety please evacuate the building immediately.
30AF	Ladies & Gentlemen, due to unforeseen circumstances we must ask you to leave the building immediately by the nearest exit or as directed by a member of staff.
32AH	Attention! Attention! Please leave via the rear stairs.
33AI	Attention! Attention! Please do not use these stairs.
34AJ	Attention! Attention! Please leave by the nearest exit.
35AK	In the interest of safety please leave the building immediately by the nearest exit as directed by a member of staff.
36AL	Warning! Gas release imminent. Please leave the building.

Product Code:	VCL01*	VCL02*
Output @ 1 metre 24v dc:	100 dBa	100 dBa
Message Output @ 1 metre 24v dc:	97 dBa	97 dBa
Current @ 24v dc:	c. 29 mA	c. 29 mA
Voltage Range:	15-30v dc	15-30v dc
Operating Frequency:	800-1000Hz	800-1000Hz
Number of Messages:	1	2
Volume Control:	-25 dBa	-25 dBa
IP Rating:	IP65	IP65
Temperature Range:	-20 to +70 °C	-20 to +70 °C
Weight (per unit packed):	215g	215g

(Sounders are available in red or white by adding -R (red) or -W (white) to the end of the product code)